



## TEMPORARY VERTICAL CONCRETE BARRIERS INSTALLATION GUIDE

Temporary Vertical Concrete Barriers offer a highly robust, interlocking solution for creating safe traffic zones and assisting with roadside risk management.

People to Install:



Equipment / Accessories Needed:

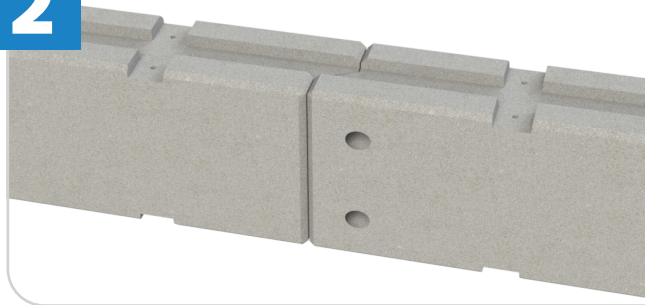
- Spanner
- M24 Bolts & M24 Washer
- Standard Coupler

1



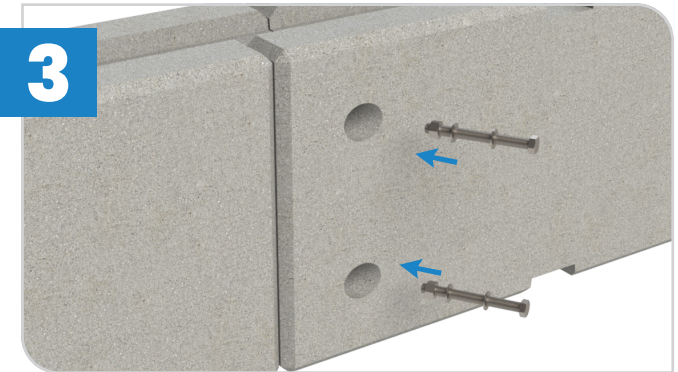
Position the TVC Barriers in place using a professional lifting equipment.

2



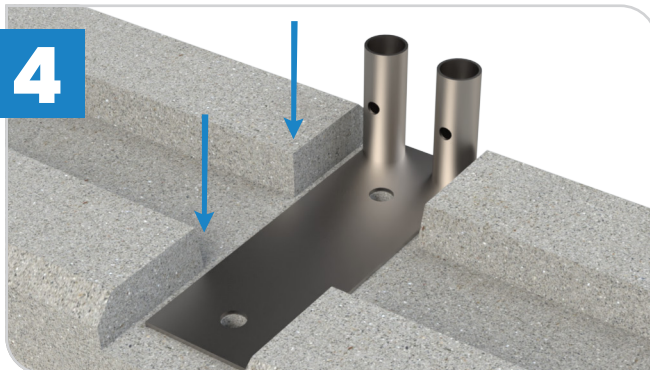
Place the barriers close to each other so that they interlock. The ends of these barriers feature 'scarf' joints, which secured together using high-tensile bolts.

3



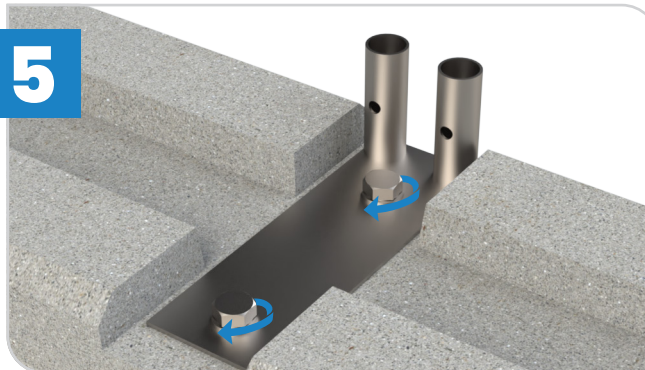
Insert high M24 high-tensile bolts into the holes at the end of the barrier to fix in place. The barriers can also be fixed to the carriageway if required. Simply bolt the anchor plates on the underside of the barriers to the ground.

4



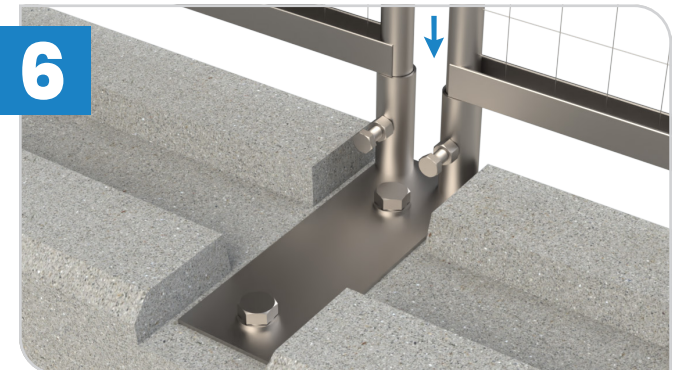
Place the fence panel connecting bracket in the slots at the top of the barrier.

5



Secure the connecting bracket in place using high tensile bolts.

6



Slot the mesh fence panels into the holes in the connecting bracket and tighten the screws to keep in place.



**Useful Tip:** Should be lifted/off-loaded from above using the 5 tonne anchor and clutch or the 4 M24 threaded sockets and lifting loops.



Wear the appropriate PPE for this task.



## TEMPORARY VERTICAL CONCRETE BARRIERS INSTALLATION GUIDE

Temporary Vertical Concrete Barriers offer a highly robust, interlocking solution for creating safe traffic zones and assisting with roadside risk management.

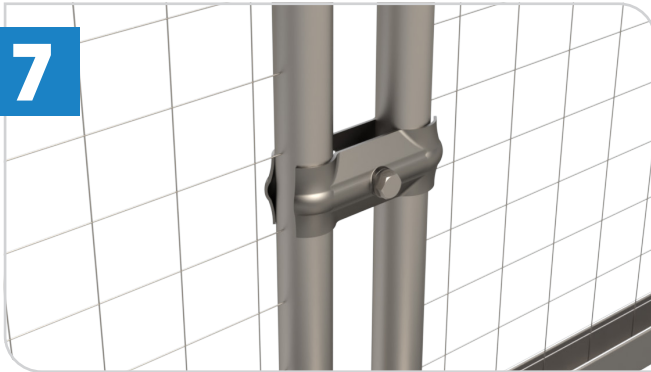
People to Install:



Equipment / Accessories Needed:

- Standard coupler
- Fence panel connecting bracket & end panel bracket
- Impact driver and socket

7



The mesh fence panels should then be secured together using couplers. Place between each panel and tighten.

8



You need a fence panel connecting end bracket and corresponding panel to finish a line of barriers. Secure the bracket in place as per steps 4-6.

9



When complete the TVCB barriers create a safe and professional finish to any perimeter.



**Useful Tip:** The blocks feature an arrow to assist with traffic flow and direct people/traffic in the correct direction.



Wear the appropriate PPE for this task.